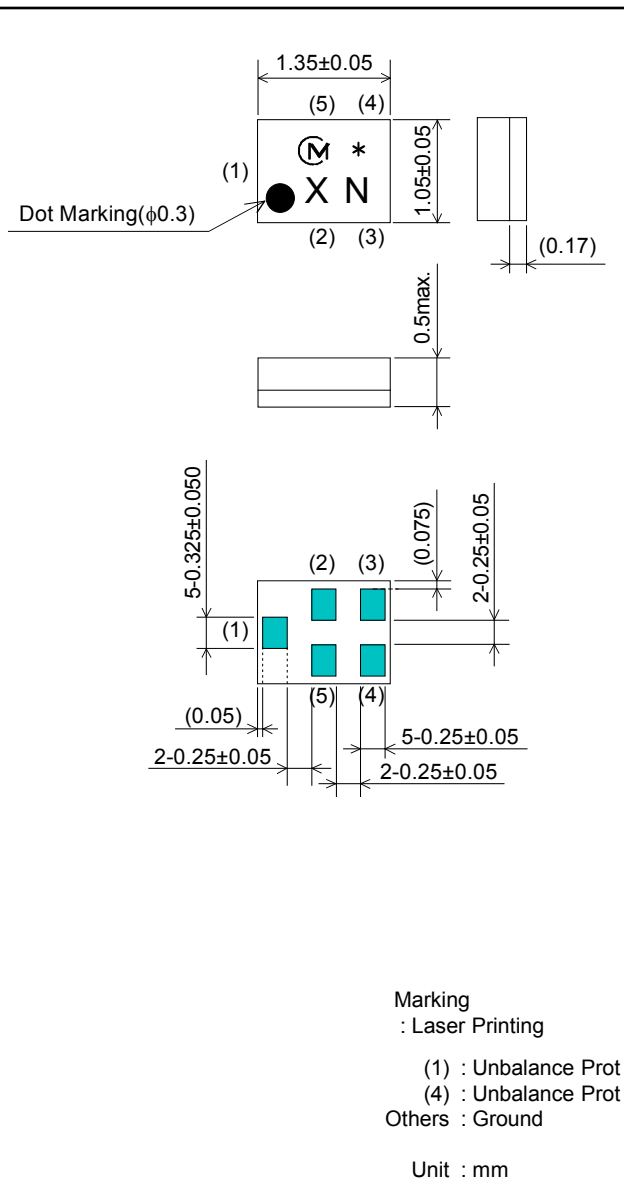


# SAW FILTER FOR WLAN (2.4G)

Murata part number : SAFEA2G45AC0F00

## Package Dimensions



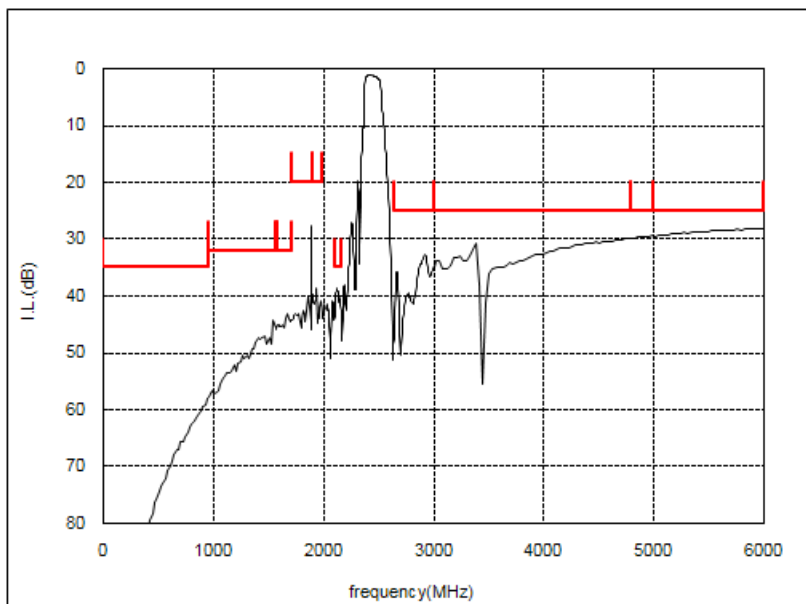
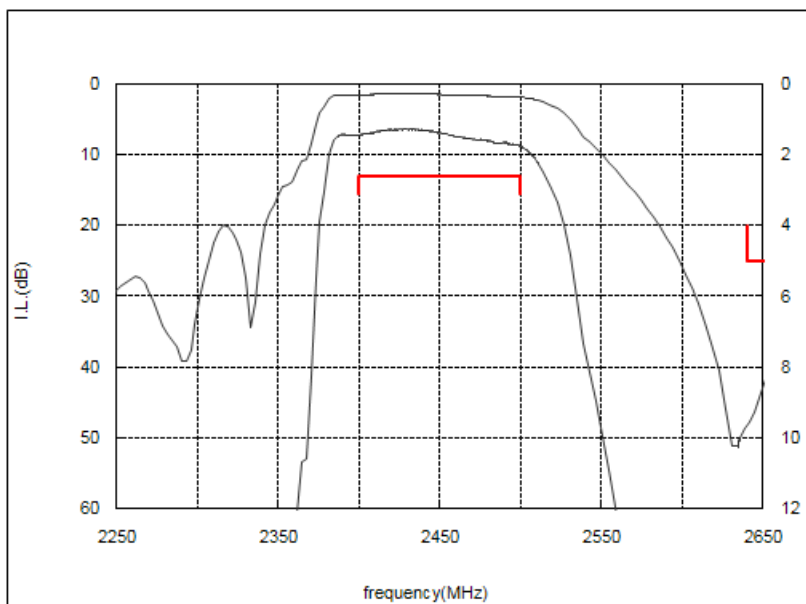
## Specification

Item	Specification		
	-30 to 85°C	25±2°C	typ.
Nominal Center Frequency(fc)	2450MHz		
Insertion Loss (2400 to 2500MHz)	2.6 dB max.	2.2 dB max.	1.7 dB
Absolute Attenuation			
1) 0.1 to 960 MHz	35 dB min.	35 dB min.	58 dB
2) 960 to 1570 MHz	32 dB min.	32 dB min.	45 dB
3) 1570 to 1580 MHz	32 dB min.	32 dB min.	45 dB
4) 1580 to 1710 MHz	32 dB min.	32 dB min.	43 dB
5) 1710 to 1910 MHz	20 dB min.	20 dB min.	28 dB
6) 1910 to 1990 MHz	20 dB min.	20 dB min.	38 dB
7) 2110 to 2170 MHz	35 dB min.	35 dB min.	40 dB
8) 2640 to 3000 MHz	25 dB min.	25 dB min.	32 dB
9) 3000 to 4800 MHz	25 dB min.	25 dB min.	29 dB
10) 4800 to 5000 MHz	25 dB min.	25 dB min.	29 dB
11) 5000 to 6000 MHz	25 dB min.	25 dB min.	28 dB
Ripple Deviation (2400 to 2500MHz)	1.8dB max.	1.4dB max.	0.4 dB
VSWR (2400 to 2500MHz)	2.4 max.	2.0 max.	1.4
Unbalance Port Matching Impedance (nominal)	Terminal Number(1): 50Ω//3.3nH Terminal Number(4): 50Ω//2.7nH		
Input Signal Level	+27dBm, 500 hours +24dBm, 5000 hours		

# SAW FILTER FOR WLAN (2.4G)

Murata part number : SAFEA2G45AC0F00

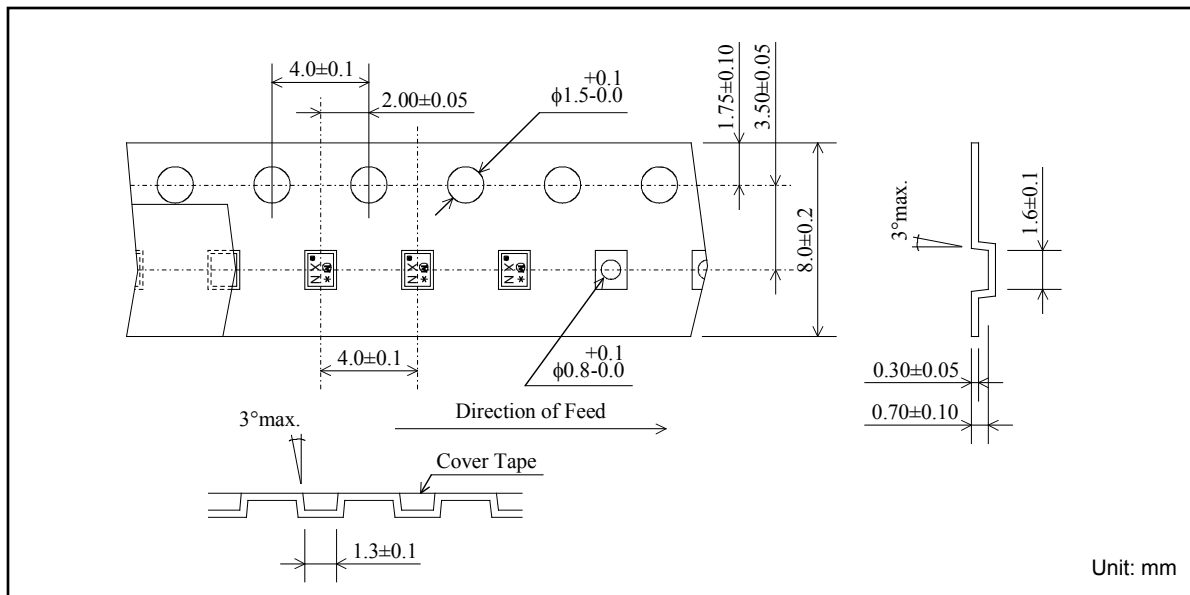
## Frequency Performance



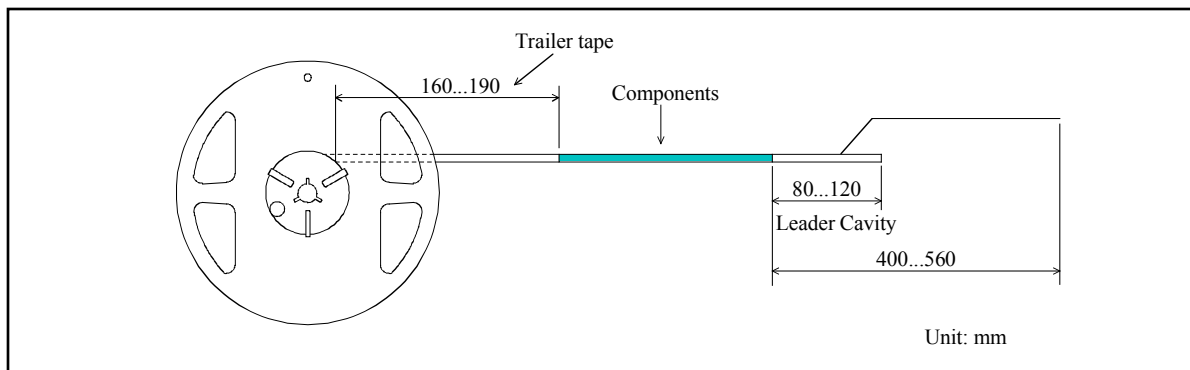
# SAW FILTER FOR WLAN (2.4G)

Murata part number : SAFEA2G45AC0F00

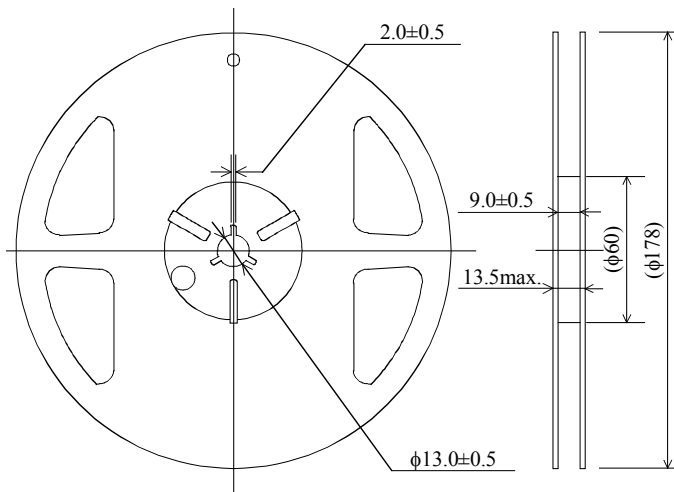
## ■ Dimensions of Carrier Tape



## ■ Dimensions of Tape



## ■ Dimensions of Reel

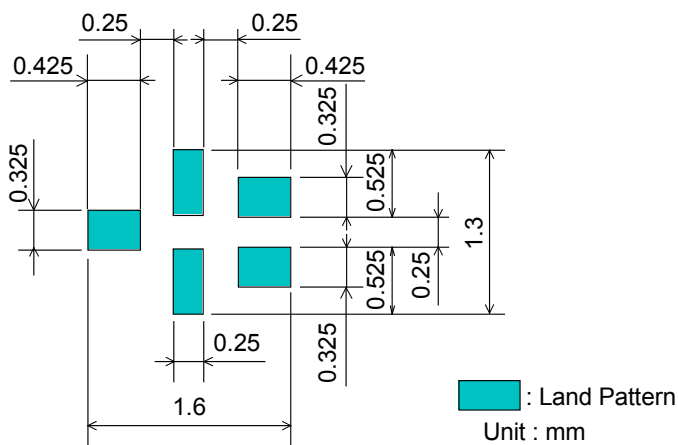


SAFEA2G45AC0F00R14 ... 4000pcs/reel  
SAFEA1G45AC0F00R12 ... 2000pcs/reel

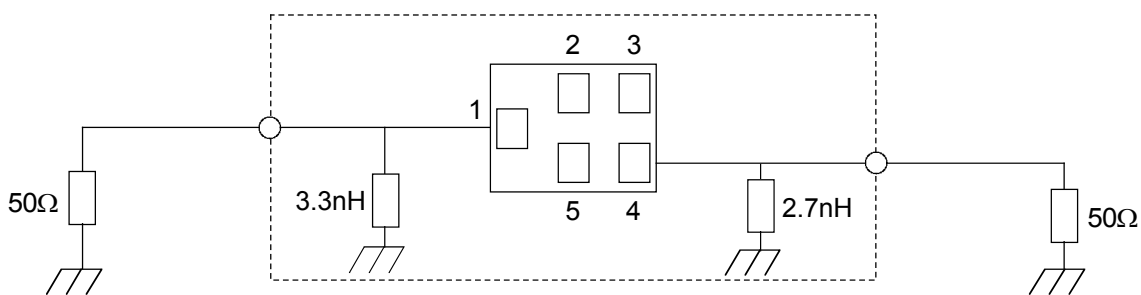
# SAW FILTER FOR WLAN (2.4G)

Murata part number : SAFAE2G45AC0F00

## Recommended Land Pattern



## Test Circuit



- This PDF Datasheet is downloaded from the website of Murata Manufacturing Co., Ltd. Therefore, it's specifications are subject to change or our products in it may be discontinued without advance notice. Please check with our sales representatives or product engineers before ordering.
- This PDF Datasheet has only typical specifications because there is no space for detailed specifications. Therefore, please approve our product specifications or transact the approval sheet for product specifications before ordering.